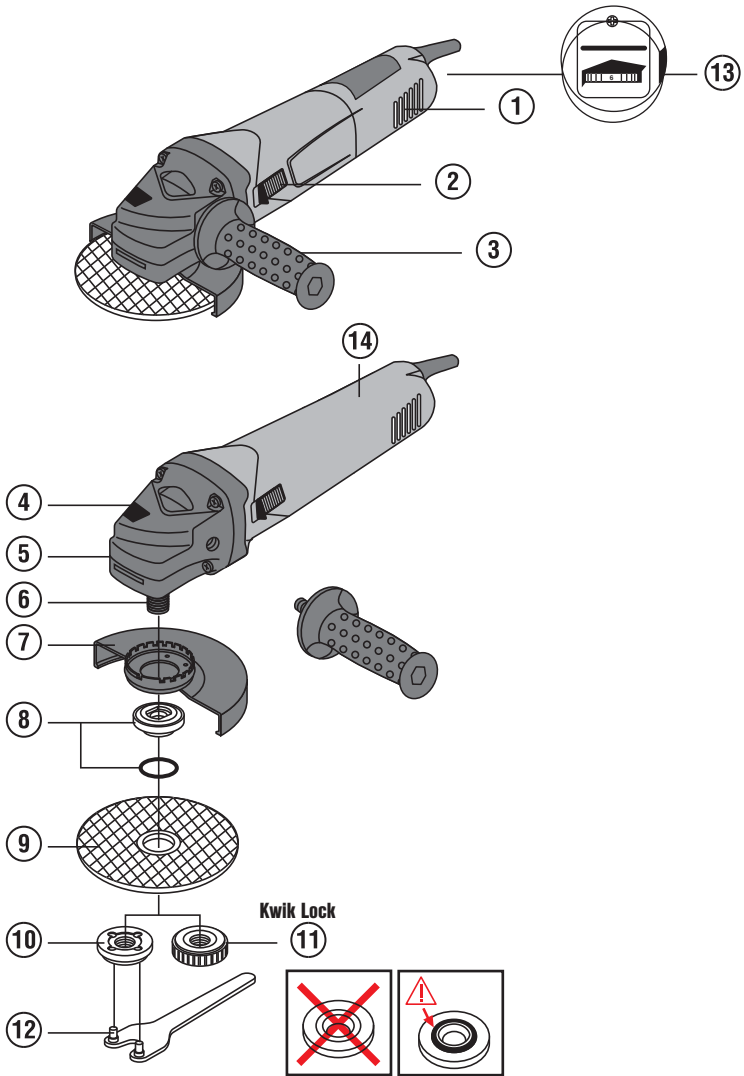


# HILTI

**DCG125-S/  
DAG 125-S/  
DAG 125-SE**

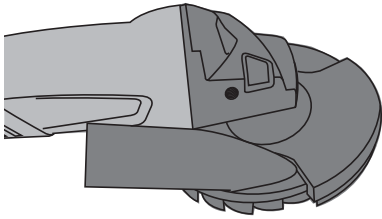
<b>Bedienungsanleitung</b>	<b>de</b>
<b>Operating instructions</b>	<b>en</b>
<b>Mode d'emploi</b>	<b>fr</b>
<b>Manual de instrucciones</b>	<b>es</b>
<b>Istruzioni d'uso</b>	<b>it</b>
<b>Gebruiksaanwijzing</b>	<b>nl</b>
<b>Brugsanvisning</b>	<b>da</b>
<b>Bruksanvisning</b>	<b>no</b>
<b>Bruksanvisning</b>	<b>sv</b>
<b>Käyttöohje</b>	<b>fi</b>
<b>Manual de instruções</b>	<b>pt</b>
<b>Οδηγίες χρήσεως</b>	<b>el</b>
<b>Инструкция по эксплуатации</b>	<b>ru</b>
<b>Lietošanas pamācība</b>	<b>lv</b>
<b>Instrukcija</b>	<b>lt</b>
<b>Kasutusjuhend</b>	<b>et</b>
<b>دليل الاستعمال</b>	<b>ar</b>



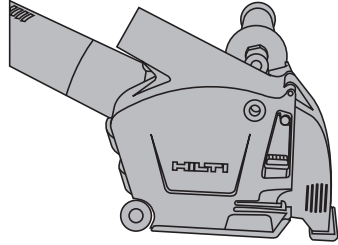


CE

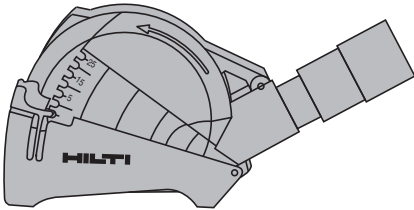
2



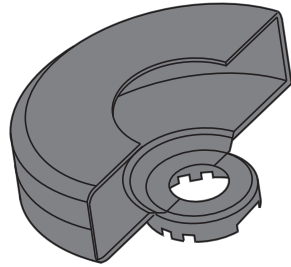
3



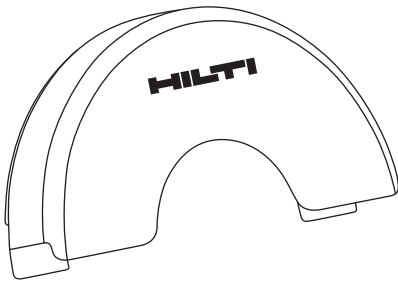
4



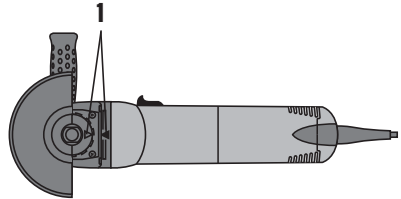
5



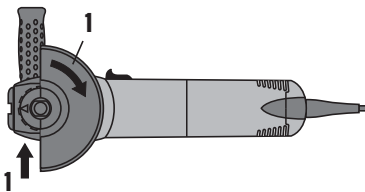
6



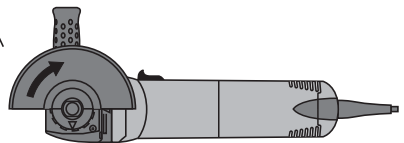
8



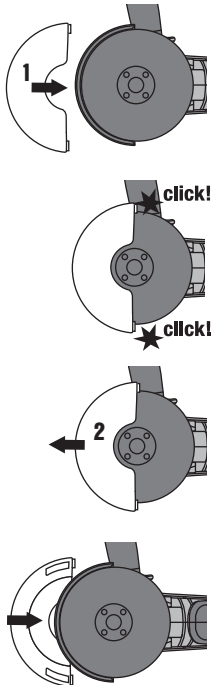
7



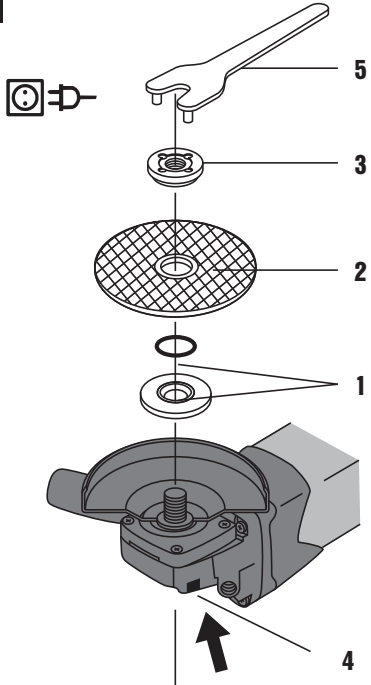
2



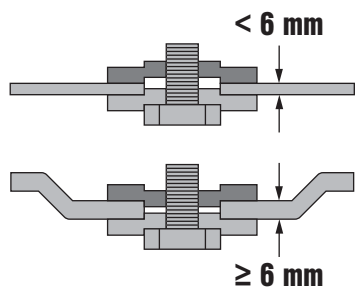
9



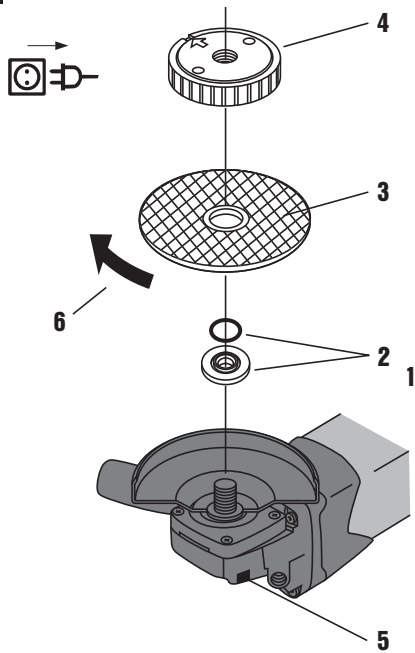
10



11



12



13



# ORIGINAL OPERATING INSTRUCTIONS

## DCG 125-S/ DAG 125-S/ DAG 125-SE angle grinder

en

**It is essential that the operating instructions are read before the power tool is operated for the first time.**

**Always keep these operating instructions together with the power tool.**

**Ensure that the operating instructions are with the power tool when it is given to other persons.**

Contents	Page
1 General information	18
2 Description	19
3 Consumables	22
4 Technical data	23
5 Safety instructions	24
6 Before use	28
7 Operation	29
8 Care and maintenance	31
9 Troubleshooting	31
10 Disposal	31
11 Manufacturer's warranty - tools	32
12 EC declaration of conformity (original)	32

**1** These numbers refer to the corresponding illustrations. The illustrations can be found on the fold-out cover pages. Keep these pages open while studying the operating instructions.

In these operating instructions, the designation "the power tool" always refers to the DCG 125-S, DAG 125-S or DAG 125-SE angle grinder.

### Operating controls and components **1**

- ① Ventilation slots
- ② On / off switch
- ③ Vibration-absorbing side handle
- ④ Spindle lockbutton
- ⑤ Guard release button
- ⑥ Spindle
- ⑦ Guard
- ⑧ Clamping flange with O-ring
- ⑨ Abrasive cutting disc / abrasive grinding disc
- ⑩ Clamping nut
- ⑪ Kwik-Lock quick-release clamping nut (optional)
- ⑫ Wrench
- ⑬ Speed preselection thumbwheel (DAG 125-SE)
- ⑭ Non-slip grip surface

## 1 General information

### 1.1 Safety notices and their meaning

#### DANGER

Draws attention to imminent danger that will lead to serious bodily injury or fatality.

#### WARNING

Draws attention to a potentially dangerous situation that could lead to serious personal injury or fatality.

#### CAUTION

Draws attention to a potentially dangerous situation that could lead to slight personal injury or damage to the equipment or other property.

#### NOTE

Draws attention to an instruction or other useful information.

### 1.2 Explanation of the pictograms and other information

#### Warning signs



General warning



Warning: electricity



Warning: hot surface

## Obligation signs



Wear eye protection



Wear a hard hat



Wear ear protection



Wear protective gloves



Wear breathing protection

## Symbols



Read the operating instructions before use



Return waste material for recycling.

V

Volts

A

Amps



Alternating current

n

Rated speed

/min

Revolutions per minute

RPM

Revolutions per minute



Diameter



Double insulated

## Location of identification data on the power tool

The type designation, item number, year of manufacture and technical status can be found on the type identification plate on the machine or tool. The serial no. can be found on the underside of the motor housing. Make a note of this data in your operating instructions and always refer to it when making an enquiry to your Hilti representative or service department.

Type:

Serial no.:

en

## 2 Description

### 2.1 Use of the product as directed

The power tool is designed for cutting and grinding metal and mineral materials without use of water. Use of a guide carriage is mandatory for cutting stone.

The working environment may be as follows: construction site, workshop, renovation, conversion or new construction. The power tool may be operated only when connected to a power supply providing a voltage and frequency in compliance with the information given on its type identification plate.

Working with metals: Cutting, grinding.

Working with mineral materials: Cutting and slitting using the corresponding guard (DC-EX), grinding using the corresponding guard (DG-EX).

Use only discs (abrasive grinding discs, abrasive cutting discs, etc.) that are approved for use at a speed of at least 11,000/min, with a maximum thickness of 6.4 mm (grinding discs) or 2.5 mm (cutting discs) and a diameter of max.125 mm.

Use only synthetic resin-bonded, fiber-reinforced grinding discs or cutting discs approved for use at a permissible peripheral speed of at least 80 m/sec.

The power tool may be used only for dry cutting or grinding.

When grinding stone, a vacuum cleaner equipped with a stone dust filter, e.g. a suitable Hilti vacuum cleaner, must be used.

Working on materials hazardous to the health (e.g. asbestos) is not permissible.

Take the influences of the surrounding area into account. Do not use the power tool or appliance where there is a risk of fire or explosion.

Nationally applicable industrial safety regulations must be observed.

To avoid the risk of injury, use only genuine Hilti accessories and insert tools.

Observe the information printed in the operating instructions concerning operation, care and maintenance.

The power tool is designed for professional use and may be operated, serviced and maintained only by trained, authorized personnel. This personnel must be informed of any special hazards that may be encountered. The power tool and its ancillary equipment may present hazards when used incorrectly by untrained personnel or when used not as directed.

Modification of the power tool or tampering with its parts is not permissible.

## 2.2 Switches

Lockable on / off switch with switch-on interlock

## 2.3 Speed preselection (only DAG 125-SE)

The DAG 125-SE version features steplessly adjustable speed preselection within the 2800-11000 r.p.m. range.

## 2.4 The items supplied in the cardboard box are:

- 1 Power tool with guard
- 1 Front cover (optional)
- 1 Vibration-absorbing side handle
- 1 Kwik-Lock quick-release clamping nut (optional)
- 1 Flange
- 1 Nut
- 1 Wrench
- 1 Operating instructions
- 1 Cardboard box

## 2.5 Starting current limitation

The electronic starting current limiter reduces the starting current drawn by the power tool and thus prevents the mains fuse blowing. It also allows the power tool to start smoothly, without a jolt.

## 2.6 Constant-speed electronics

Electronic speed control keeps running speed almost constant irrespective of whether the power tool is idling or running under load. Constant running speed helps ensure maximum efficiency.

## 2.7 ATC (Active Torque Control)

The electronics in the power tool detect situations where there is a risk of the disc sticking and prevent further rotation of the drive spindle by switching the power tool off (does not prevent kickback). The switch must be released and pressed again to restart the power tool.

## 2.8 Restart interlock

The power tool does not restart by itself when the switch is locked in the on-position and the power returns after an interruption in the electric supply. The switch must first be released and then pressed again to restart.

## 2.9 Temperature-dependent motor protection

The temperature-dependent motor protection system prevents the power tool overheating by monitoring current input and motor temperature.

In the event of motor overload due to application of excessive pressure to the disc, performance will drop noticeably or the power tool may stop running (avoid stalling the power tool in this way).

Permissible overload cannot be given as a specific value as it depends on the temperature of the motor .



If the power tool has been overloaded, release the pressure applied and then allow it to run under no load for approx. 60 seconds.

**2.10 Using extension cords**

Use only extension cords of a type approved for the application and with conductors of adequate cross section. The power tool may otherwise loose performance and the extension cord may overheat. Check the extension cord for damage at regular intervals. Replace damaged extension cords.

**Recommended minimum conductor cross section and max. cable lengths**

Conductor cross section	1.5 mm <sup>2</sup>	2 mm <sup>2</sup>	2.5 mm <sup>2</sup>	3.5 mm <sup>2</sup>	14 AWG	12 AWG
Mains voltage 100V		30 m		50 m		
Mains voltage 110-120 V	20 m	30 m	40 m	50 m	75 ft	125 ft
Mains voltage 220-240 V	50 m		100 m			

Do not use extension cords with 1.25 mm<sup>2</sup> or 16 AWG conductor cross sections.

**2.11 Using extension cords outdoors**

When working outdoors, use only extension cords that are approved and correspondingly marked for this application.

**2.12 Using a generator or transformer**

This power tool may be powered by a generator or transformer when the following conditions are fulfilled: The unit must provide a power output in watts of at least twice the value printed on the type identification plate on the power tool. The operating voltage must remain within +5% and -15% of the rated voltage at all times, frequency must be in the 50 - 60 Hz range and never above 65 Hz, and the unit must be equipped with automatic voltage regulation and starting boost.

Never operate other power tools or appliances from the generator or transformer at the same time. Switching other power tools or appliances on and off may cause undervoltage and / or overvoltage peaks, resulting in damage to the power tool.

**2.13 DG-EX 125/5" dust removal hood for grinding 2**

The tool is suitable only for occasional use with diamond cup wheels for grinding mineral materials.

**CAUTION**

Use of this guard for working on metal is not permissible.

**NOTE**

It is recommended that a dust removal system consisting of matched components, i.e. dust removal hood and a suitable Hilti vacuum cleaner, are used for grinding mineral materials, such as concrete or stone. These serve to protect the operator and increase the life of the power tool and disc used.

**2.14 DC-EX 125/5"-M dust removal hood with guide carriage for cutting and slitting 3**

Cutting and slitting work on mineral materials may be carried out only when the power tool is equipped with a dust removal hood with guide carriage.

**CAUTION**

Use of this guard for working on metal is not permissible.

**NOTE**

It is recommended that a dust removal system consisting of matched components, i.e. dust removal hood and a suitable Hilti vacuum cleaner, are used for cutting and slitting mineral materials, such as concrete or stone. These serve to protect the operator and increase the life of the power tool and disc used.

**2.15 DC-EX 125/5"-C compact dust removal hood for cutting 4**

For cutting masonry and concrete.

## CAUTION

Use of this guard for working on metal is not permissible.

## NOTE

It is recommended that a dust removal system consisting of matched components, i.e. dust removal hood and a suitable Hilti vacuum cleaner, are used for cutting and slitting mineral materials, such as concrete or stone. These serve to protect the operator and increase the life of the power tool and disc used.

en

### 2.16 Disc guard with side cover 5

## CAUTION

When grinding with straight grinding discs and cutting with cutting discs in metalworking applications, use the guard with cover plate.

### 2.17 Front cover for the disc guard 6

## CAUTION

When grinding with straight grinding discs and cutting with cutting discs in metalworking applications, use the guard with front cover.

## 3 Consumables

Discs with a diameter of max. 125 mm, designed for a speed of 11000/min and a peripheral speed of 80 m/sec, and with a maximum thickness of 6.4 mm (abrasive grinding discs) or 2.5 mm (abrasive cutting discs).

Discs	Application	Designation	Material
Abrasive cutting disc	Cutting, slitting	AC-D	metal
Diamond cutting disc	Cutting, slitting	DC-D	mineral
Abrasive grinding disc	Rough grinding	AG-D, AF-D, AN-D	metal
Diamond grinding disc	Rough grinding	DG-CW	mineral

### Assignment of discs to the equipment used

Item	Equipment	AC-D	AG-D	AF-D	AN-D	DG-CW	DC-D
A	Guard	X	X	X	X	X	X
B	Front cover (in combination with A)	X	-	-	-	-	X
C	Guard with cover plate (optional for A, B)	X	-	-	-	-	X
D	DG-EX 125/5" surface guard	-	-	-	-	X	-
E	DC-EX 125/5"-C compact guard (in combination with A)	-	-	-	-	-	X
F	DC-EX 125/5" M cutting guard for mineral materials	-	-	-	-	-	X
G	DC-EX SL cutting adapter (in combination with F)	-	-	-	-	-	X
H	Side handle	X	X	X	X	X	X
I	DC BG 125 hoop handle (optional for H)	X	X	X	X	X	X
K	Clamping nut	X	X	X	X	X	X
L	Clamping flange	X	X	X	X	X	X
M	Kwik-Lock (optional for K)	X	X	X	X	-	X

## 4 Technical data

Right of technical changes reserved.

Power tool	DCG 125-S	DAG 125-S	DAG 125-SE
Rated current / power input	Rated voltage 220 / 230 V: 6.4 A / 1,400 W Rated voltage 110 V: 12.2 A / 1,200 W	Rated voltage 220 / 230 V: 5.0 A / 1,100 W Rated voltage 110 V: 10.2 A / 1,050 W	Rated voltage 220 / 230 V: 5.0 A / 1,100 W Rated voltage 110 V: 10.2 A / 1,050 W
Rated frequency	50 / 60 Hz	50 / 60 Hz	50 / 60 Hz
Rated speed	11,000/min	11,000/min	2,800... 11,000/min
Max. washer diameter	Diameter 125 mm	Diameter 125 mm	Diameter 125 mm
Dimensions (L x H x W) without hood	304 mm x 103 mm x 82 mm	289 mm x 103 mm x 82 mm	289 mm x 103 mm x 82 mm
Weight in accordance with EPTA procedure 01/2003	2.4 kg	2.2 kg	2.2 kg

en

### Information about the power tool and applications

Drive spindle thread (arbor size)	M 14
Spindle length	22 mm
Protection class as per EN / IEC	Protection class II (double insulated)

### NOTE

The vibration emission level given in this information sheet has been measured in accordance with a standardised test given in EN 60745 and may be used to compare one tool with another. It may be used for a preliminary assessment of exposure. The declared vibration emission level represents the main applications of the tool. However if the tool is used for different applications, with different accessories or poorly maintained, the vibration emission may differ. This may significantly increase the exposure level over the total working period. An estimation of the level of exposure to vibration should also take into account the times when the tool is switched off or when it is running but not actually doing the job. This may significantly reduce the exposure level over the total working period. Identify additional safety measures to protect the operator from the effects of vibration such as: maintain the tool and the accessories, keep the hands warm, organisation of work patterns.

### Noise information (as per EN 60745-1):

Typical A-weighted sound power level, DCG 125	101 dB (A)
Typical A-weighted emission sound pressure level, DCG 125	90 dB (A)
Typical A-weighted sound power level, DAG 125	98 dB (A)
Typical A-weighted emission sound pressure level, DAG 125	87 dB (A)
Uncertainty for the given sound level	3 dB (A)

### Vibration information in accordance with EN 60745-1

Triaxial vibration values (vibration vector sum) for the DAG 125-S / DAG 125-SE	measured in accordance with EN 60745-2-3
Surface grinding with the standard side handle, $a_{h,AG}$	5.8 m/s <sup>2</sup>
Surface grinding with the vibration-absorbing side handle, $a_{h,AG}$	4.6 m/s <sup>2</sup>
Surface grinding with the hoop handle, $a_{h,AG}$	5.9 m/s <sup>2</sup>
Uncertainty (K)	1.5 m/s <sup>2</sup>
Triaxial vibration values (vibration vector sum) for the DCG 125-S	measured in accordance with EN 60745-2-3
Surface grinding with the standard side handle, $a_{h,AG}$	6.4 m/s <sup>2</sup>

Surface grinding with the vibration-absorbing side handle, $a_{h,AG}$	5.7 m/s <sup>2</sup>
Surface grinding with the hoop handle, $a_{h,AG}$	5.8 m/s <sup>2</sup>
Uncertainty (K)	1.5 m/s <sup>2</sup>
Additional information	Other applications, such as cutting, may produce vibration values that deviate from the given values.

## 5 Safety instructions

### 5.1 General Power Tool Safety Warnings

a)  **WARNING**

**Read all safety warnings and all instructions.** Failure to follow the warnings and instructions may result in electric shock, fire and/or serious injury. **Save all warnings and instructions for future reference.** The term “power tool” in the warnings refers to your mains-operated (corded) power tool or battery-operated (cordless) power tool.

#### 5.1.1 Work area safety

- a) **Keep work area clean and well lit.** Cluttered or dark areas invite accidents.
- b) **Do not operate power tools in explosive atmospheres, such as in the presence of flammable liquids, gases or dust.** Power tools create sparks which may ignite the dust or fumes.
- c) **Keep children and bystanders away while operating a power tool.** Distractions can cause you to lose control.

#### 5.1.2 Electrical safety

- a) **Power tool plugs must match the outlet. Never modify the plug in any way. Do not use any adapter plugs with earthed (grounded) power tools.** Unmodified plugs and matching outlets will reduce risk of electric shock.
- b) **Avoid body contact with earthed or grounded surfaces, such as pipes, radiators, ranges and refrigerators.** There is an increased risk of electric shock if your body is earthed or grounded.
- c) **Do not expose power tools to rain or wet conditions.** Water entering a power tool will increase the risk of electric shock.
- d) **Do not abuse the cord. Never use the cord for carrying, pulling or unplugging the power tool. Keep cord away from heat, oil, sharp edges or moving parts.** Damaged or entangled cords increase the risk of electric shock.
- e) **When operating a power tool outdoors, use an extension cord suitable for outdoor use.** Use of a cord suitable for outdoor use reduces the risk of electric shock.
- f) **If operating a power tool in a damp location is unavoidable, use a residual current device (RCD) protected supply.** Use of an RCD reduces the risk of electric shock.

### 5.1.3 Personal safety

- a) **Stay alert, watch what you are doing and use common sense when operating a power tool. Do not use a power tool while you are tired or under the influence of drugs, alcohol or medication.** A moment of inattention while operating power tools may result in serious personal injury.
- b) **Use personal protective equipment. Always wear eye protection.** Protective equipment such as dust mask, non-skid safety shoes, hard hat, or hearing protection used for appropriate conditions will reduce personal injuries.
- c) **Prevent unintentional starting. Ensure the switch is in the off-position before connecting to power source and/or battery pack, picking up or carrying the tool.** Carrying power tools with your finger on the switch or energising power tools that have the switch on invites accidents.
- d) **Remove any adjusting key or wrench before turning the power tool on.** A wrench or a key left attached to a rotating part of the power tool may result in personal injury.
- e) **Do not overreach. Keep proper footing and balance at all times.** This enables better control of the power tool in unexpected situations.
- f) **Dress properly. Do not wear loose clothing or jewellery. Keep your hair, clothing and gloves away from moving parts.** Loose clothes, jewellery or long hair can be caught in moving parts.
- g) **If devices are provided for the connection of dust extraction and collection facilities, ensure these are connected and properly used.** Use of dust collection can reduce dust-related hazards.

### 5.1.4 Power tool use and care

- a) **Do not force the power tool. Use the correct power tool for your application.** The correct power tool will do the job better and safer at the rate for which it was designed.
- b) **Do not use the power tool if the switch does not turn it on and off.** Any power tool that cannot be controlled with the switch is dangerous and must be repaired.
- c) **Disconnect the plug from the power source and/or the battery pack from the power tool before making any adjustments, changing accessories, or storing power tools.** Such preventive safety measures reduce the risk of starting the power tool accidentally.

- d) **Store idle power tools out of the reach of children and do not allow persons unfamiliar with the power tool or these instructions to operate the power tool.** Power tools are dangerous in the hands of untrained users.
- e) **Maintain power tools. Check for misalignment or binding of moving parts, breakage of parts and any other condition that may affect the power tool's operation. If damaged, have the power tool repaired before use.** Many accidents are caused by poorly maintained power tools.
- f) **Keep cutting tools sharp and clean.** Properly maintained cutting tools with sharp cutting edges are less likely to bind and are easier to control.
- g) **Use the power tool, accessories and tool bits etc. in accordance with these instructions, taking into account the working conditions and the work to be performed.** Use of the power tool for operations different from those intended could result in a hazardous situation.

### 5.1.5 Service

- a) **Have your power tool serviced by a qualified repair person using only identical replacement parts.** This will ensure that the safety of the power tool is maintained.

### 5.2 Safety warnings for abrasive cutting-off operations

- a) **This power tool is intended to function as a cut-off tool. Read all safety warnings, instructions, illustrations and specifications provided with this power tool.** Failure to follow all instructions listed below may result in electric shock, fire and/or serious injury.
- b) **Operations such as sanding, wire brushing or polishing are not recommended to be performed with this power tool** Operations for which the power tool was not designed may create a hazard and cause personal injury.
- c) **Do not use accessories which are not specifically designed and recommended by the tool manufacturer.** Just because the accessory can be attached to your power tool, it does not assure safe operation.
- d) **The rated speed of the accessory must be at least equal to the maximum speed marked on the power tool.** Accessories running faster than their rated speed can break and fly apart.
- e) **The outside diameter and the thickness of your accessory must be within the capacity rating of your power tool.** Incorrectly sized accessories cannot be adequately guarded or controlled.
- f) **Threaded mounting of accessories must match the grinder spindle thread. For accessories mounted by flanges, the arbour hole of the accessory must fit the locating diameter of the flange.** Accessories that do not match the mounting hardware of the power tool will run out of balance, vibrate excessively and may cause loss of control.
- g) **Do not use a damaged accessory. Before each use inspect the accessory such as abrasive**

wheels for chips and cracks, backing pad for cracks, tear or excess wear, wire brush for loose or cracked wires. If power tool or accessory is dropped, inspect for damage or install an undamaged accessory. After inspecting and installing an accessory, position yourself and bystanders away from the plane of the rotating accessory and run the power tool at maximum no-load speed for one minute. Damaged accessories will normally break apart during this test time.

- h) **Wear personal protective equipment. Depending on application, use face shield, safety goggles or safety glasses. As appropriate, wear dust mask, hearing protectors, gloves and workshop apron capable of stopping small abrasive or workpiece fragments.** The eye protection must be capable of stopping flying debris generated by various operations. The dust mask or respirator must be capable of filtering particles generated by your operation. Prolonged exposure to high intensity noise may cause hearing loss.
- i) **Keep bystanders a safe distance away from work area. Anyone entering the work area must wear personal protective equipment.** Fragments of workpiece or of a broken accessory may fly away and cause injury beyond immediate area of operation.
- j) **Hold the power tool by insulated gripping surfaces only, when performing an operation where the cutting accessory may contact hidden wiring or its own cord.** Cutting accessory contacting a "live" wire may make exposed metal parts of the power tool "live" and could give the operator an electric shock.
- k) **Position the cord clear of the spinning accessory.** If you lose control, the cord may be cut or snagged and your hand or arm may be pulled into the spinning accessory.
- l) **Never lay the power tool down until the accessory has come to a complete stop.** The spinning accessory may grab the surface and pull the power tool out of your control.
- m) **Do not run the power tool while carrying it at your side.** Accidental contact with the spinning accessory could snag your clothing, pulling the accessory into your body.
- n) **Regularly clean the power tool's air vents.** The motor's fan will draw the dust inside the housing and excessive accumulation of powdered metal may cause electrical hazards.
- o) **Do not operate the power tool near flammable materials.** Sparks could ignite these materials.
- p) **Do not use accessories that require liquid coolants.** Using water or other liquid coolants may result in electrocution or shock.

### 5.3 Kickback and related warnings

Kickback is a sudden reaction to a pinched or snagged rotating wheel, backing pad, brush or any other accessory. Pinching or snagging causes rapid stalling of the rotating accessory which in turn causes the uncontrolled

power tool to be forced in the direction opposite of the accessory's rotation at the point of the binding.

For example, if an abrasive wheel is snagged or pinched by the workpiece, the edge of the wheel that is entering into the pinch point can dig into the surface of the material causing the wheel to climb out or kick out. The wheel may either jump toward or away from the operator, depending on direction of the wheel's movement at the point of pinching. Abrasive wheels may also break under these conditions.

Kickback is the result of power tool misuse and/or incorrect operating procedures or conditions and can be avoided by taking proper precautions as given below.

- a) **Maintain a firm grip on the power tool and position your body and arm to allow you to resist kickback forces. Always use auxiliary handle, if provided, for maximum control over kickback or torque reaction during start-up.** The operator can control torque reactions or kickback forces, if proper precautions are taken.
- b) **Never place your hand near the rotating accessory.** Accessory may kickback over your hand.
- c) **Do not position your body in the area where power tool will move if kickback occurs.** Kickback will propel the tool in direction opposite to the wheel's movement at the point of snagging.
- d) **Use special care when working corners, sharp edges etc. Avoid bouncing and snagging the accessory.** Corners, sharp edges or bouncing have a tendency to snag the rotating accessory and cause loss of control or kickback.
- e) **Do not attach a saw chain woodcarving blade or toothed saw blade.** Such blades create frequent kickback and loss of control.

#### 5.4 Safety warnings specific for grinding and abrasive cutting-off operations

- a) **Use only wheel types that are recommended for your power tool and the specific guard designed for the selected wheel.** Wheels for which the power tool was not designed cannot be adequately guarded and are unsafe.
- b) **The grinding surface of centre depressed wheels must be mounted below the plane of the guard lip.** An improperly mounted wheel that projects through the plane of the guard lip cannot be adequately protected.
- c) **The guard must be securely attached to the power tool and positioned for maximum safety, so the least amount of wheel is exposed towards the operator.** The guard helps to protect operator from broken wheel fragments, accidental contact with wheel and sparks that could ignite clothing.
- d) **Wheels must be used only for recommended applications. For example: do not grind with the side of cut-off wheel.** Abrasive cut-off wheels are intended for peripheral grinding, side forces applied to these wheels may cause them to shatter.
- e) **Always use undamaged wheel flanges that are of correct size and shape for your selected wheel.**

Proper wheel flanges support the wheel thus reducing the possibility of wheel breakage. Flanges for cut-off wheels may be different from grinding wheel flanges.

- f) **Do not use worn down wheels from larger power tools.** Wheel intended for larger power tool is not suitable for the higher speed of a smaller tool and may burst.

#### 5.5 Additional safety warnings specific for abrasive cutting-off operations

- a) **Do not "jam" the cut-off wheel or apply excessive pressure. Do not attempt to make an excessive depth of cut.** Overstressing the wheel increases the loading and susceptibility to twisting or binding of the wheel in the cut and the possibility of kickback or wheel breakage.
- b) **Do not position your body in line with and behind the rotating wheel.** When the wheel, at the point of operation, is moving away from your body, the possible kickback may propel the spinning wheel and the power tool directly at you.
- c) **When wheel is binding or when interrupting a cut for any reason, switch off the power tool and hold the power tool motionless until the wheel comes to a complete stop. Never attempt to remove the cut-off wheel from the cut while the wheel is in motion otherwise kickback may occur.** Investigate and take corrective action to eliminate the cause of wheel binding.
- d) **Do not restart the cutting operation in the workpiece. Let the wheel reach full speed and carefully re-enter the cut.** The wheel may bind, walk up or kickback if the power tool is restarted in the workpiece.
- e) **Support panels or any oversized workpiece to minimize the risk of wheel pinching and kickback.** Large workpieces tend to sag under their own weight. Supports must be placed under the workpiece near the line of cut and near the edge of the workpiece on both sides of the wheel.
- f) **Use extra caution when making a "pocket cut" into existing walls or other blind areas.** The protruding wheel may cut gas or water pipes, electrical wiring or objects that can cause kickback.

#### 5.6 Additional safety instructions

##### 5.6.1 Personal safety

- a) **Always hold the power tool securely with both hands on the grips provided. Keep the grips dry, clean and free from oil and grease.**
- b) **Breathing protection must be worn if the power tool is used without a dust removal system for work that creates dust.**
- c) **Improve the blood circulation in your fingers by relaxing your hands and exercising your fingers during breaks between working.**
- d) **Avoid touching rotating parts. Switch the power tool on only after bringing it into position at the**

- workpiece.** Touching rotating parts, especially rotating insert tools, may lead to injury.
- Always lead the supply cord and extension cord away from the power tool to the rear while working.** This helps to avoid tripping over the cord while working.
  - When grinding with straight grinding discs and cutting with cutting discs in metalworking applications, use the guard with cover plate.**
  - Children must be instructed not to play with the power tool.**
  - The power tool is not intended for use by children, by debilitated persons or those who have received no instruction or training.**
  - Do not use the power tool if it starts with a jolt.** This may be an indication that the electronic control unit is defective. Have the tool repaired at an authorized Hilti service center right away.
  - Dust from material such as paint containing lead, some wood species, minerals and metal may be harmful. Contact with or inhalation of the dust may cause allergic reactions and/or respiratory diseases to the operator or bystanders. Certain kinds of dust are classified as carcinogenic such as oak and beech dust especially in conjunction with additives for wood conditioning (chromate, wood preservative). Material containing asbestos must only be treated by specialists. **Where the use of a dust extraction device is possible it shall be used. To achieve a high level of dust collection, use a suitable vacuum cleaner of the type recommended by Hilti for wood dust and/or mineral dust together with this tool. Ensure that the workplace is well ventilated. The use of a dust mask of filter class P2 is recommended. Follow national requirements for the materials you want to work with.**

#### 5.6.2 Power tool use and care

- Grinding discs must be stored and handled carefully in accordance with the manufacturer's instructions.**
- Check that the grinding disc is fitted in accordance with the manufacturer's instructions.**
- If use of a spacer ring or other intermediate part is specified and the part is supplied with the grinding disc, check to ensure that the part is fitted.**
- Never use the power tool without the guard.**
- The workpiece must be fixed securely in place.**
- Before use, check that the cutting disc has been fitted correctly and the clamping nut tightened. Then allow the power tool to run for 60 seconds under no load while holding it securely. Switch off the power tool immediately if significant vibration or any other faults are noticed. Should this occur, examine the power tool in order to determine the cause.**
- Do not use cutting discs for grinding.**
- Take steps to ensure that flying sparks from the power tool do not present a hazard, i.e. by striking yourself or other persons. Adjust the position of the guard accordingly.**

- After disc breakage, or if the power tool is dropped, falls or suffers other mechanical damage, it must be checked at a Hilti Service Center.**

#### 5.6.3 Electrical safety



- Before beginning work, check the working area (e.g. using a metal detector) to ensure that no concealed electric cables or gas and water pipes are present.** External metal parts of the power tool may become live, for example, when an electric cable is damaged accidentally. This presents a serious risk of electric shock.
- Check the power tool's supply cord at regular intervals and have it replaced by a qualified specialist if found to be damaged. If the power tool's supply cord is damaged it must be replaced with a specially-prepared supply cord available from Hilti Customer Service. Check extension cords at regular intervals and replace them if found to be damaged. Do not touch the supply cord or extension cord if it is damaged while working. Disconnect the supply cord plug from the power outlet. Damaged supply cords or extension cords present a risk of electric shock.**
- Dirty or dusty power tools which have been used frequently for work on conductive materials should be checked at regular intervals at a Hilti Service Center.** Under unfavorable circumstances, dampness or dust adhering to the surface of the power tool, especially dust from conductive materials, may present a risk of electric shock.
- When working outdoors with an electric tool check to ensure that the tool is connected to the electric supply by way of a ground fault circuit interrupter (RCD) with a rating of max. 30 mA (tripping current). Use of a ground fault circuit interrupter reduces the risk of electric shock.**
- Use of a ground fault circuit interrupter (RCD residual current device) with a maximum tripping current of 30 mA is recommended.**

#### 5.6.4 Work area

- Ensure that the workplace is well lit.**
- Ensure that the workplace is well ventilated.** Exposure to dust at a poorly ventilated workplace may result in damage to the health.
- If the work involves breaking right through, take the appropriate safety measures at the opposite side.** Parts breaking away could fall out and / or fall down and injure other persons.
- Slits cut in loadbearing walls of buildings or other structures may influence the statics of the structure, especially when steel reinforcing bars or load-bearing components are cut through. Consult the structural**

engineer, architect, or person in charge of the building project before beginning the work.

#### 5.6.5 Personal protective equipment



The user and any other persons in the vicinity must wear suitable eye protection, a hard hat, ear protec-

tion, protective gloves and breathing protection while the power tool is in use.

en

## 6 Before use



### **DANGER**

Disconnect the plug from the power source before making any adjustments, changing accessories, or storing the tool. Such preventive safety measures reduce the risk of starting the tool accidentally.

### **CAUTION**

Wear gloves when fitting or removing parts, when making adjustments or when remedying malfunctions.

### **WARNING**

Never use the power tool without the guard.

### **CAUTION**

Before using another accessory that is recommended for the angle grinder in conjunction with the angle grinders mentioned above, read the operating instructions for the applicable angle grinder and observe all instructions.

#### 6.1 Fitting the side handle

### **WARNING**

The side handle must be fitted for all types of work.

The side handle may be screwed onto the power tool on the right or left.

#### 6.2 Guard

### **CAUTION**

Adjust the position of the guard to suit the requirements of the work being done.

### **CAUTION**

The closed side of the guard must always face the operator.

#### 6.2.1 Fitting the guard or guard with cover plate 8

### **NOTE**

The keyed locating lug on the guard ensures that only a guard designed for use with the power tool can be fitted. The keyed locating lug also prevents the guard from coming into contact with the disc.

1. Fit the guard onto the drive spindle collar so that the two triangular marks on the guard and on the power tool in alignment.
2. Press the guard onto the drive spindle collar; press the guard release button and then rotate the guard until it engages and the guard release button jumps back to its outset position.

#### 6.2.2 Adjusting the guard 7

1. Press the guard release button and then rotate the guard until it engages in the desired position.

#### 6.2.3 Removing the guard or guard with cover plate

1. Press the guard release button and then rotate the guard until the triangular marks on the guard and the power tool are in alignment.
2. Lift off the guard.

#### 6.2.4 Fitting and removing the front cover 9

1. Press the front cover onto the standard guard, with the closed side positioned as shown in the illustration, until it engages.
2. To remove the front cover, release the catch and then pull the front cover away from the standard guard.

#### 6.3 Fitting and removing the disc 10 11

### **DANGER**

Check that the speed rating printed on the cutting or grinding disc is equal to or higher than the rated speed of the power tool.




## DANGER

Check the condition of the grinding disc before using it. Do not use discs that are broken, cracked or damaged in any way.

## NOTE

Diamond discs must be replaced when the cutting or grinding performance drops significantly. This generally is the case when the segments reach a height of less than 2 mm. Other discs must be replaced when the cutting performance drops significantly or other parts of the angle grinder (not the disc) come into contact with the material you are working on. Abrasive discs generally have to be replaced when the durability date has been reached.

1. **CAUTION** The clamping flange is equipped with an O-ring. **If this O-ring is missing, the clamping flange must be replaced.**  
Fit the clamping flange onto the drive spindle.
2. Fit the insert tool.
3. Screw on the clamping nut corresponding to the type of disc fitted .
4. **CAUTION Do not press the spindle lockbutton before the drive spindle has stopped rotating.**  
Press the spindle lockbutton and hold it in this position.
5. Use the wrench to tighten the clamping nut securely and then release the spindle lockbutton.
6. To remove the disc from the power tool, follow the instructions for fitting the disc but carry out the steps in the reverse order.

### 6.4 Insert tool with Kwik-Lock quick-release nut

#### CAUTION

When operating the power tool, take care to ensure that the Kwik-Lock nut does not come into contact with the work surface. Do not use a damaged Kwik-Lock nut.

#### NOTE

The Kwik-Lock nut can be used instead of the clamping nut. No tools are then required for changing cutting discs.

### 6.4.1 Fitting and removing the insert tool using the Kwik-Lock quick-release nut

#### NOTE

The arrow on the upper surface of the nut must be within the index marks. If the arrow is not within the index marks when the Kwik-Lock nut is tightened it will be impossible to release the nut by hand. In this case, use the pin wrench to release the Kwik-Lock nut (do not use a pipe wrench!).

1. Clean the clamping flange and Kwik-Lock nut.
2. **CAUTION** The clamping flange is equipped with an O-ring. **If this O-ring is missing, the clamping flange must be replaced.**  
Fit the clamping flange onto the drive spindle.
3. Fit the insert tool.
4. Screw the Kwik-Lock nut onto the spindle until it contacts the grinding disc (the side with the lettering should be visible after the nut is screwed on).
5. **CAUTION Do not press the spindle lockbutton before the drive spindle has stopped rotating.**  
Press the spindle lockbutton and hold it in this position.
6. Turn the grinding disc firmly by hand in a clockwise direction until the Kwik-Lock nut is tightened securely and then release the spindle lockbutton.
7. To remove this, follow the instructions for fitting the module but carry out the steps in the reverse order.

### 6.5 Rotating the gearing section

#### NOTE

To allow the tool to be used safely and without fatigue in all positions (e.g. on / off switch facing upwards), the gearing section can be rotated to one of four positions at 90° intervals.

1. Clean the tool.
2. Remove the side handle from the tool.
3. Remove the four screws from the gearing section.
4. Rotate the gearing section to the desired position without pulling it away from the tool.
5. Secure the gearing section by inserting and tightening the four screws.
6. Fit the side handle.

## 7 Operation



#### NOTE

Adjust the position of the guard to suit the requirements of the work being done.

#### DANGER

**Wear ear protectors.** Exposure to noise can cause hearing loss.

#### CAUTION

**The closed side of the guard must always face the operator.**

#### WARNING

**Test new cutting or grinding discs by allowing them to run at maximum speed in a protected area for at least 30 seconds.**

#### WARNING

**Do not use the power tool if it starts with a jolt.** This may be an indication that the electronic control unit is

defective. Have the tool repaired at an authorized Hitachi service center right away.

#### **WARNING**

Slits cut in loadbearing walls of buildings or other structures may influence the statics of the structure, especially when steel reinforcing bars or load-bearing components are cut through. **Consult the structural engineer, architect, or person in charge of the building project before beginning the work.**

#### **WARNING**

The electric supply voltage must comply with the information given on the type identification plate on the power tool. 230 V power tools may also be connected to a 220 V supply.

#### **WARNING**

Always use the side handle with the power tool (use the hoop handle as an option).

#### **CAUTION**

Use clamps or a vice to hold the workpiece securely.

#### **WARNING**

Cutting or grinding may cause splintering of the material. **Wear eye protection.**

#### **CAUTION**

**Breathing protection must be worn if the power tool is used without a dust removal system for work that creates dust.**

#### **WARNING**

**Avoid touching rotating parts. Switch the power tool on only after bringing it into position at the workpiece.** Touching rotating parts, especially rotating insert tools, may lead to injury.

#### **CAUTION**

The insert tool may get hot during use. **Wear protective gloves when changing insert tools.**

#### **CAUTION**

In accordance with the applications for which it is designed, the power tool produces a high torque. **Always use the side handle and hold the power tool with both hands.** The user must be prepared for sudden sticking and stalling of the insert tool.

#### **CAUTION**

Working on the material may cause it to splinter. **Wear eye protection and protective gloves. Wear breathing protection if no dust removal system is used.** Splin-

tering material presents a risk of injury to the eyes and body.

#### **WARNING**

**Reduce the load on the power tool by avoiding tilting the disc in the kerf when cutting.** The disc may otherwise break, or the power tool may kick back or stall.

#### **CAUTION**

**Improve the blood circulation in your fingers by relaxing your hands and exercising your fingers during breaks between working.**

#### **WARNING**

**Keep inflammable materials away from the working area.**

### **7.1 Rough grinding**

#### **CAUTION**

**Never use abrasive cutting discs for grinding.**

Best results are obtained when the disc maintains an angle of 5° to 30° with the working surface when grinding. Move the power tool to and fro while applying moderate pressure. This will avoid overheating and discoloration of the workpiece and ensure an even surface finish.

### **7.2 Cutting**

When cutting, apply moderate feed pressure and do not tilt the power tool or, respectively, the cutting disc (hold at approx. 90° to the surface being cut). For best results, start cutting at the smallest cross section when cutting profiles and square tube.

### **7.3 Switching on / off**

#### **7.3.1 Switching on**

1. Plug the supply cord into the power outlet.
2. Press the rear section of the on / off switch.
3. Slide the on / off switch forward.
4. Lock the on / off switch.

#### **7.3.2 Switching off**

Press the rear section of the on / off switch. The on / off switch jumps back to the off-position.

### **7.4 Restart interlock**

#### **NOTE**

If the power tool is unplugged from the electric supply while the on / off switch is locked in the on-position and subsequently plugged back into the electric supply, it will not restart. The switch lock must be released while the power tool is disconnected from the electric supply before the supply cord is again plugged into the power outlet.

## 8 Care and maintenance

### CAUTION

Disconnect the mains plug from the power outlet.

#### 8.1 Care of the power tool

### DANGER

Under extreme conditions, when used for working on metal, conductive dust may accumulate inside the tool. This may have an adverse effect on the tool's protective insulation. **Under such conditions, the tool should be plugged into a ground fault circuit interrupter (RCD) and use of a stationary dust removal system and frequent cleaning of the tool's cooling air slots is recommended.**

The outer casing of the power tool is made from impact-resistant plastic. Sections of the grip are made from a synthetic rubber material.

Never operate the power tool when the air vents are blocked. Regularly clean the power tool's air vents carefully with a dry brush. Do not permit foreign objects to enter the interior of the tool. The motor's fan will draw dust into the casing and an excessive accumulation of conductive dust (e.g. metal, carbon fiber) may cause electrical hazards. Clean the outside of the power tool at regular intervals with a slightly damp cloth. Do not use a spray, steam pressure cleaning equipment or running water for cleaning. This may negatively affect the electrical safety of the tool. Always keep the grip surfaces

of the tool free from oil and grease. Do not use cleaning agents which contain silicone.

### NOTE

Frequent work on conductive materials (e.g. metal, carbon fiber) may make shorter maintenance intervals necessary. Take your individual work place risk assessment into account.

#### 8.2 Maintenance

### WARNING

**Do not operate the power tool if parts are damaged or when the controls do not function faultlessly. Have the power tool repaired by Hilti Service.**

### WARNING

**Repairs to the electrical section of the power tool may be carried out only by trained electrical specialists.**

Check all external parts of the power tool for damage at regular intervals and check that all controls operate faultlessly.

#### 8.3 Checking the power tool after care and maintenance

After carrying out care and maintenance work on the power tool, check that all protective and safety devices are fitted and that they function faultlessly.

## 9 Troubleshooting

Fault	Possible cause	Remedy
The power tool doesn't start.	Interruption in the electric supply.	Plug in another electric appliance and check whether it works.
	The supply cord or plug is defective.	Have the supply cord and plug checked by an electrical specialist and replaced if necessary.
	The carbon brushes are worn.	Have it checked by a trained electrical specialist and replaced if necessary.
The power tool doesn't achieve full power.	The extension cord's conductor cross section is inadequate.	Use an extension cord with an adequate conductor cross section.

## 10 Disposal



Most of the materials from which Hilti power tools or appliances are manufactured can be recycled. The materials must be correctly separated before they can be recycled. In many countries, Hilti has already made arrangements for taking back your old power tools or appliances for recycling. Please ask your Hilti customer service department or Hilti representative for further information.



For EC countries only

Disposal of electric tools together with household waste is not permissible.

In observance of the European Directive on waste electrical and electronic equipment and its implementation in accordance with national law, electrical appliances that have reached the end of their life must be collected separately and returned to an environmentally compatible recycling facility.

## en 11 Manufacturer's warranty - tools

Hilti warrants that the tool supplied is free of defects in material and workmanship. This warranty is valid so long as the tool is operated and handled correctly, cleaned and serviced properly and in accordance with the Hilti Operating Instructions, and the technical system is maintained. This means that only original Hilti consumables, components and spare parts may be used in the tool.

This warranty provides the free-of-charge repair or replacement of defective parts only over the entire lifespan of the tool. Parts requiring repair or replacement as a result of normal wear and tear are not covered by this warranty.

**Additional claims are excluded, unless stringent national rules prohibit such exclusion. In particular, Hilti is not obligated for direct, indirect, incidental or consequential damages, losses or expenses in connection with, or by reason of, the use of, or inability to use the tool for any purpose. Implied warranties of merchantability or fitness for a particular purpose are specifically excluded.**

For repair or replacement, send the tool or related parts immediately upon discovery of the defect to the address of the local Hilti marketing organization provided.

This constitutes Hilti's entire obligation with regard to warranty and supersedes all prior or contemporaneous comments and oral or written agreements concerning warranties.

## 12 EC declaration of conformity (original)

Designation:	angle grinder
Type:	DCG 125-S/ DAG 125-S/ DAG 125-SE
Year of design:	2006

We declare, on our sole responsibility, that this product complies with the following directives and standards: 2006/42/EC, 2004/108/EC, 2011/65/EU, EN 60745-1, EN 60745-2-3, EN ISO 12100.

### Technical documentation filed at:

Hilti Entwicklungsgesellschaft mbH  
Zulassung Elektrowerkzeuge  
Hiltistrasse 6  
86916 Kaufering  
Deutschland

**Hilti Corporation, Feldkircherstrasse 100,  
FL-9494 Schaan**

**Paolo Luccini**  
Head of BA Quality and Process Management  
Business Area Electric Tools & Accessories  
01/2012

**Jan Doongaji**  
Executive Vice President  
Business Unit Power Tools & Accessories  
01/2012



Hilti Corporation

LI-9494 Schaan

Tel.: +423 / 234 21 11

Fax: +423 / 234 29 65

[www.hilti.com](http://www.hilti.com)

160992A0GW

Hilti = registered trademark of Hilti Corp., Schaan

W 3199 | 1013 | 00-Pos. 1 | 1

Printed in Germany © 2013

Right of technical and programme changes reserved S. E. & O.

382617 / A4



382617